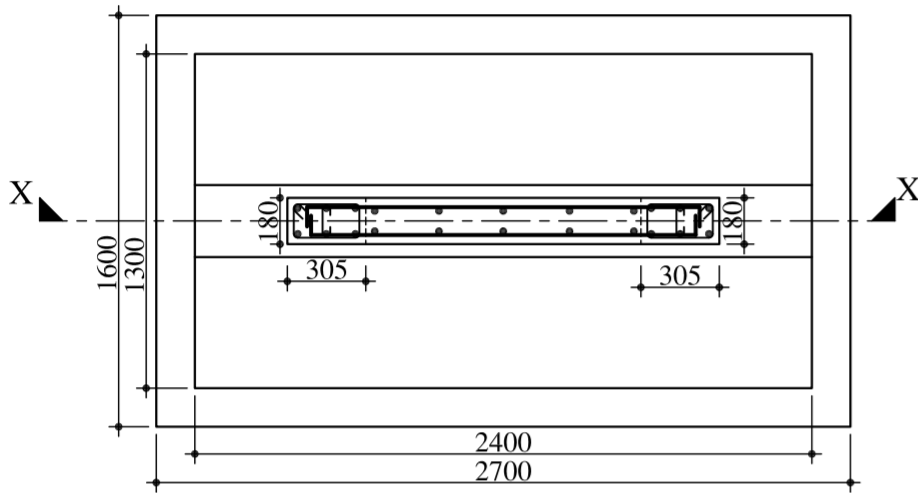
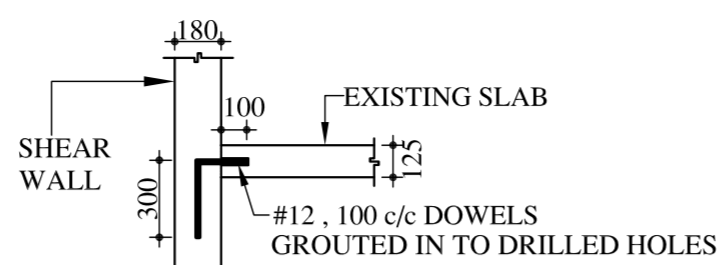


SECTION "X - X"

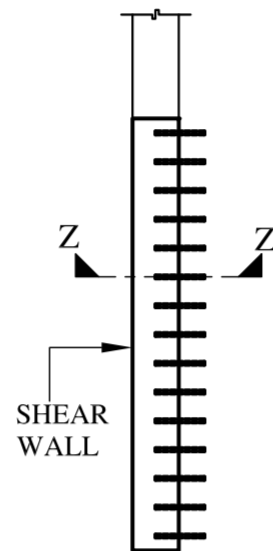


PLAN (SW-1)
(SCALE :-1:30)

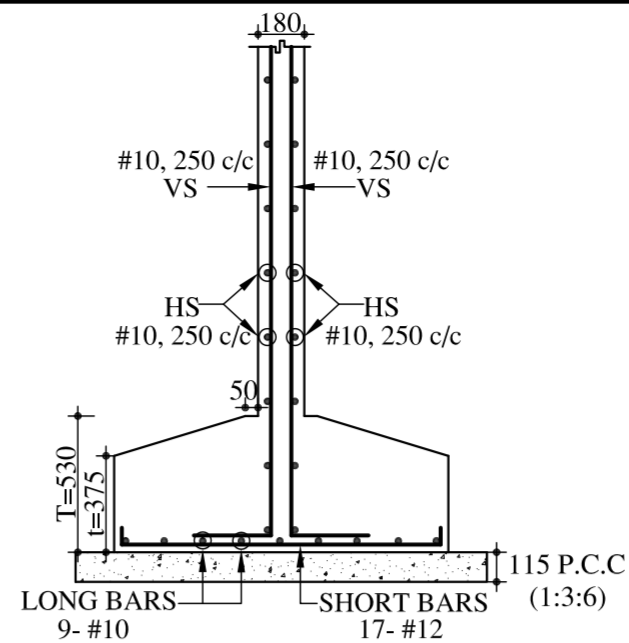


SECTION "Z - Z"
(SCALE :-1:30)

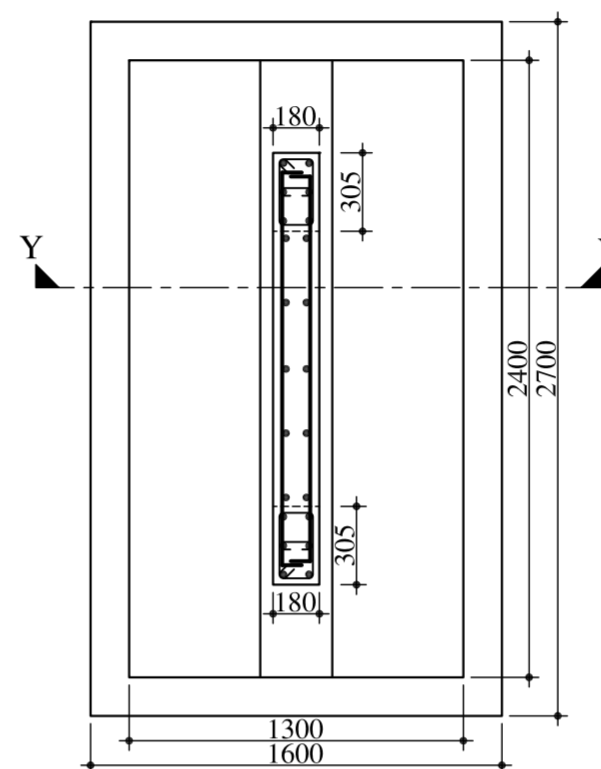
(NOTE: SHEAR WALL STEEL IS NOT SHOWN FOR CLARITY)



PLAN
(SCALE :-1:30)
DETAIL FOR SHEAR CONNECTORS
AT SLAB LEVEL



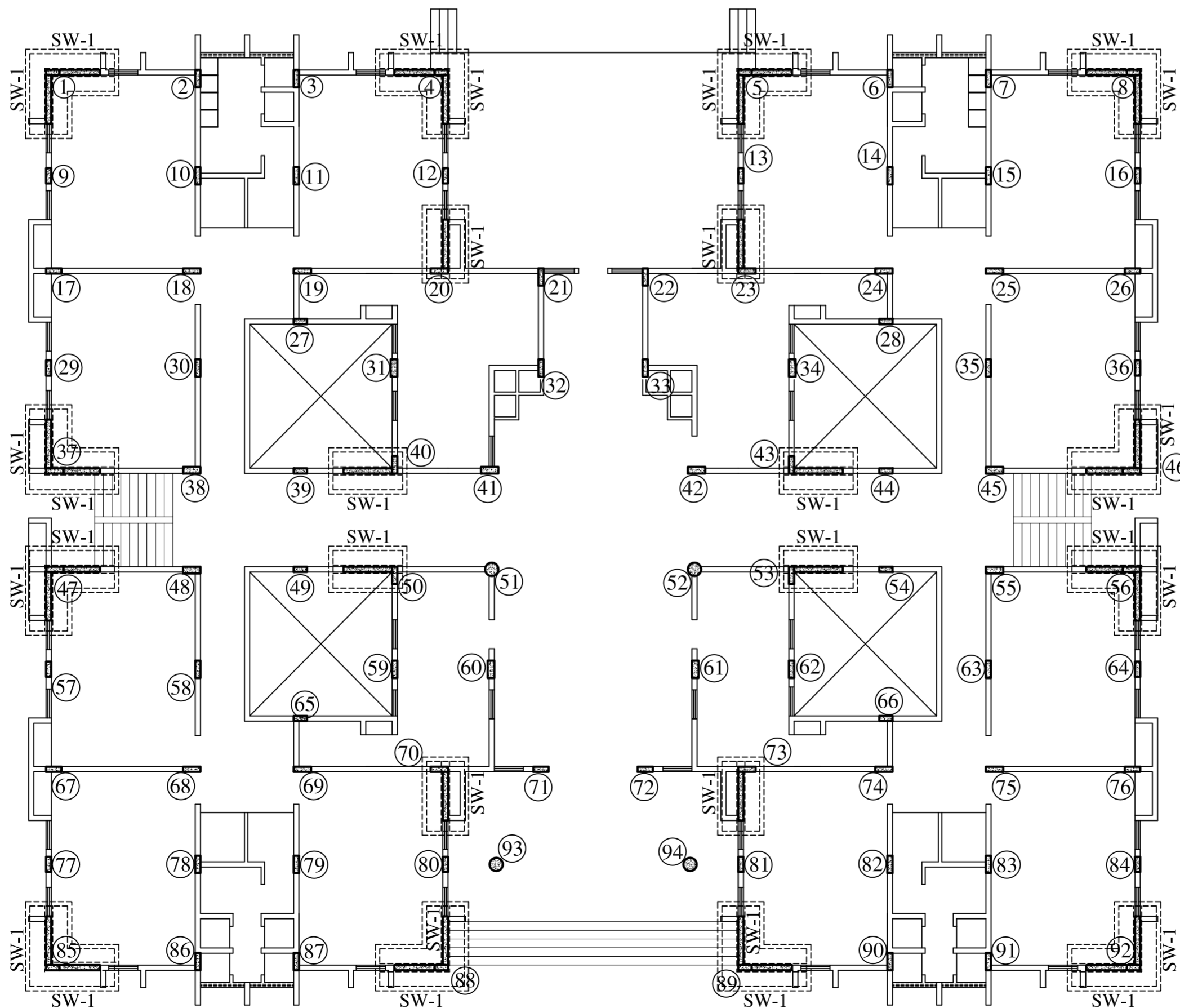
SECTION "Y - Y"



PLAN (SW-1)
(SCALE :-1:30)

(TYPICAL SHEAR WALL DETAILING)

HS = HORIZONTAL STEEL
VS = VERTICAL STEEL



FRAMING PLAN SHOWING SHEAR WALL LAYOUT
(SCALE :- 1:150)

NOTES:-

- 1) ALL DIMENSIONS ARE IN m.m.
- 2) CONCRETE MIX M-20 CONFORMING TO IS:456-2000, SHALL BE USED UNLESS SPECIFIED OTHERWISE.
- 3) CLEAR COVER TO REINFORCEMENT IN,
A) FOOTINGS = 50
B) WALL = 25
SHALL BE PROVIDED.
- 4) CONCRETE SHALL BE MACHINE MIXED, MACHINE VIBRATED AND SHALL BE CONSTANTLY WET FOR SEVEN DAYS AFTER DATE OF PLACING.
- 5) FOR CONCRETING OF ANY COMPONENT, FREE FALLING HEIGHT FOR CONCRETE SHALL NOT BE MORE THAN 1.5 m.
- 6) Ø INDICATES MILD STEEL BARS CONFORMING IS:432-1982 OR EQUIVALENT.
- 7) # INDICATES HIGH YIELD STRENGTH DEFORMED BARS CONFORMING TO IS:1786-1985 OR EQUIVALENT.
- 8) DIMENSIONS ARE TO BE READ AND NOT MEASURED.
- 9) ANY DISCREPANCY SHALL BE BROUGHT TO THE NOTICE OF THE ENGINEER IN CHARGE, BEFORE FURTHER PROGRESS OF THE WORK.

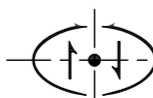
REV. NO.	REV. DATE	REVISION DETAILS	APPD. BY

PRINCIPAL CLIENT :-

PROJECT TITLE:-

DRG. NO.

DRAWING TITLE:-
DETAILS FOR SEISMIC
RETROFITTING THROUGH
ADDITION OF SHEAR WALLS



LAKHLANI ASSOCIATES
CIVIL AND STRUCTURAL ENGINEERS

SHREE SOCIETY MAIN ROAD
Nr. SURYAMUKHI HANUMAN TEMPLE
NANA MAVA MAIN ROAD
NEXT TO VIVEKANAND SCHOOL
RAJKOT - 360 001
PHONE : +91 281 247 51 60
E-mail : contact@lakhilani.com
Web : www.lakhilani.com